

# USB 3.1 Type C AOC Manual



## Description

E-like USB 3.1 Type C AOC is the first Gen2 active optical cable in the market . Super speed data transmission depending on optical fiber , not only its support length become much longer up to 30m max, but also signal quality is much more stable , no EMI completely, especially can support 10Gbps super speed , meets USB3.1 gen2 standard . It is a mature & competitive solution in the high speed data transmission market . This optical fiber cable can be applied to computer with USB type C interface , Wearable tech ,Cameras , Display , Projectors ...among them , used for DATA transmission .

## Key Features

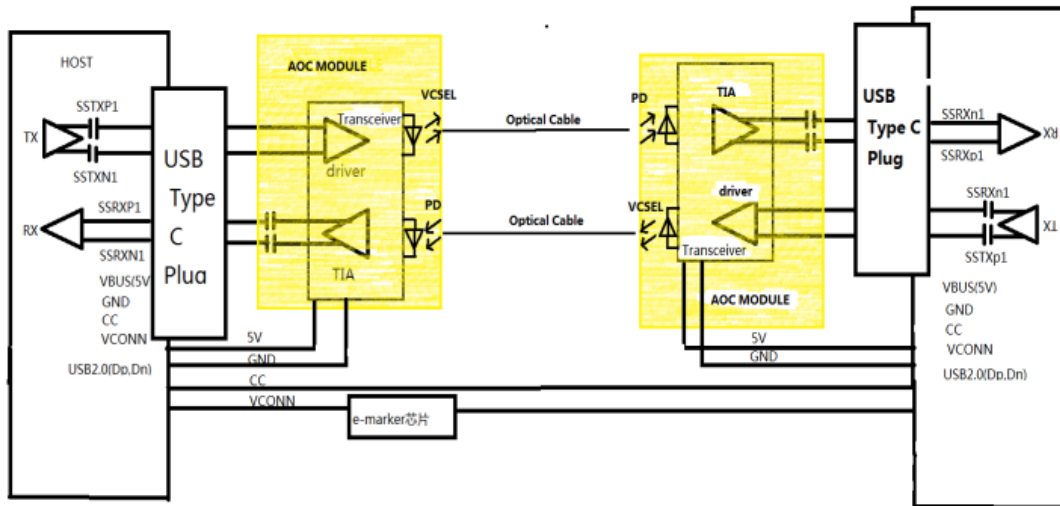
1. Meet USB 3.1 Gen2 Standard , bandwidth can reach to 10Gbps super speed ;
2. Support length up to 30m .(Custom length is available) ;
3. Hybrid optical cable with fiber and copper wire ;
4. Support two sides plug and play ;
5. Can provide 5V 800mA power maximum to the remote device ;
6. No RF interference , working stable in complex environments .

## Specifications

Specification of USB 3.1 Type C AOC is as follows :

Item	Description
Connector Type	USB Type C
Bandwidth	10Gbps
Power Consumption	≤0.5W
Supported Distance	30m
Operating Temperature	-40°C ~ +70 °C
Flammability	UL13 Standard
Environment Protection	ROHS

## Structure



How USB 3.1 Type C AOC Works

## Application

USB 3.1 Type C AOC is used for Mobile terminal , for example , Mobile Phone 、 PC、 Power Bank 、 U Disk 、 Cameras 、 Wearable devices , also can be applied to Home Theatre 、 Medical Imaging Equipment 、 LED signboards in strets and in stadiums、 TV broadcast Station、 Airplane On-board Video System 、 Conference Room、 Digital Signage...etc.

